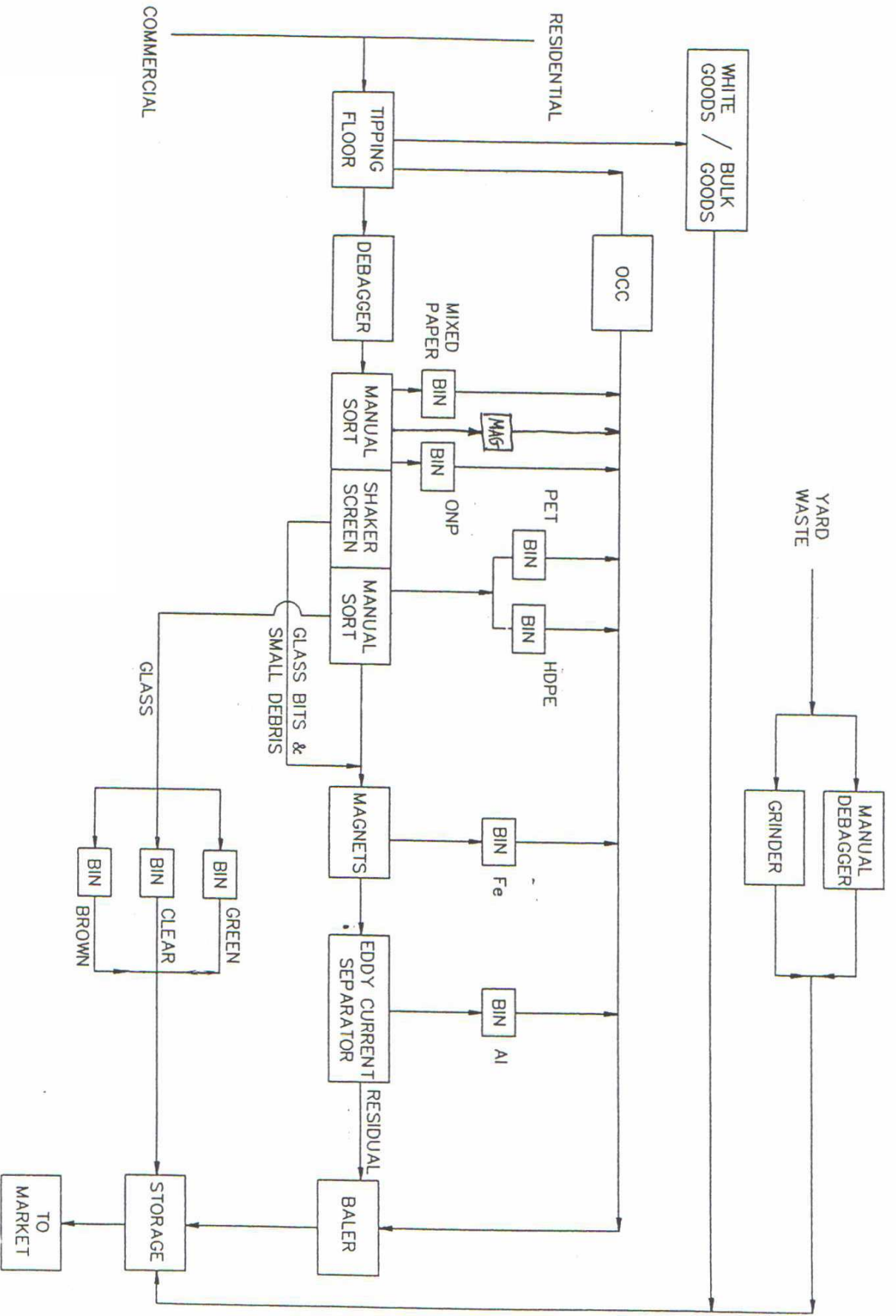


FIG. 1

MASS BALANCE: AVERAGE DAILY FLOW (in tons)



* NUMBERS INDICATE TONNAGE ROUNDED TO NEAREST 1/10th TON